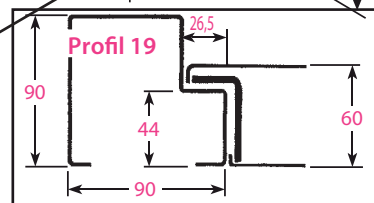
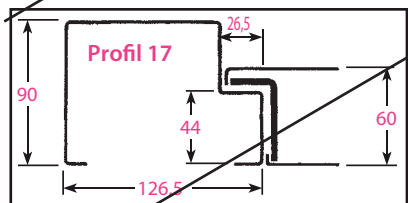
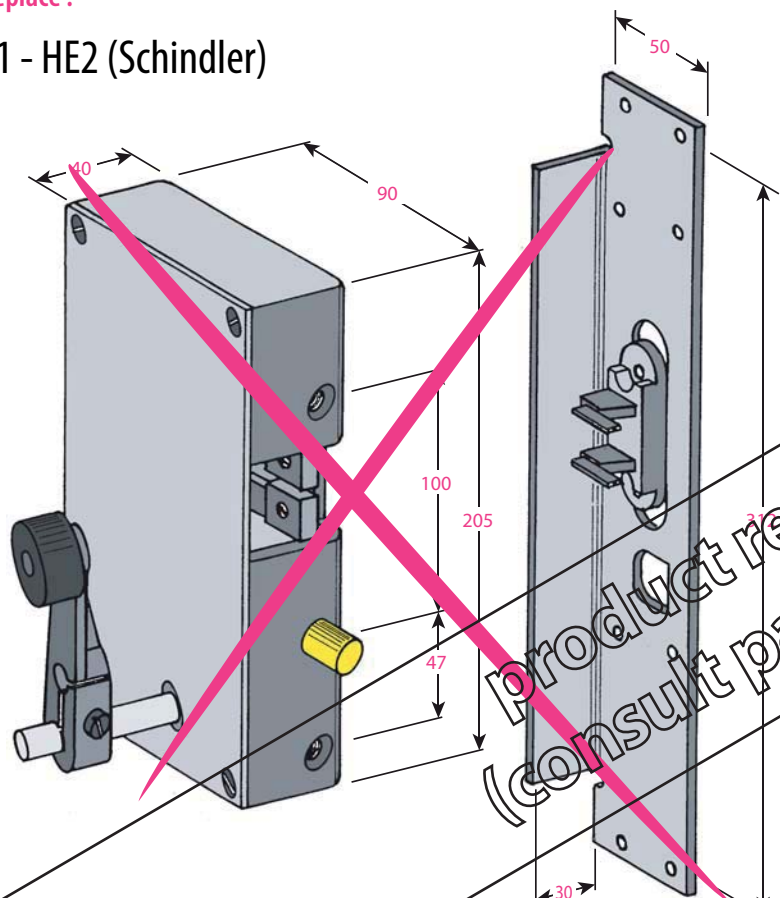


To replace :

HE1 - HE2 (Schindler)



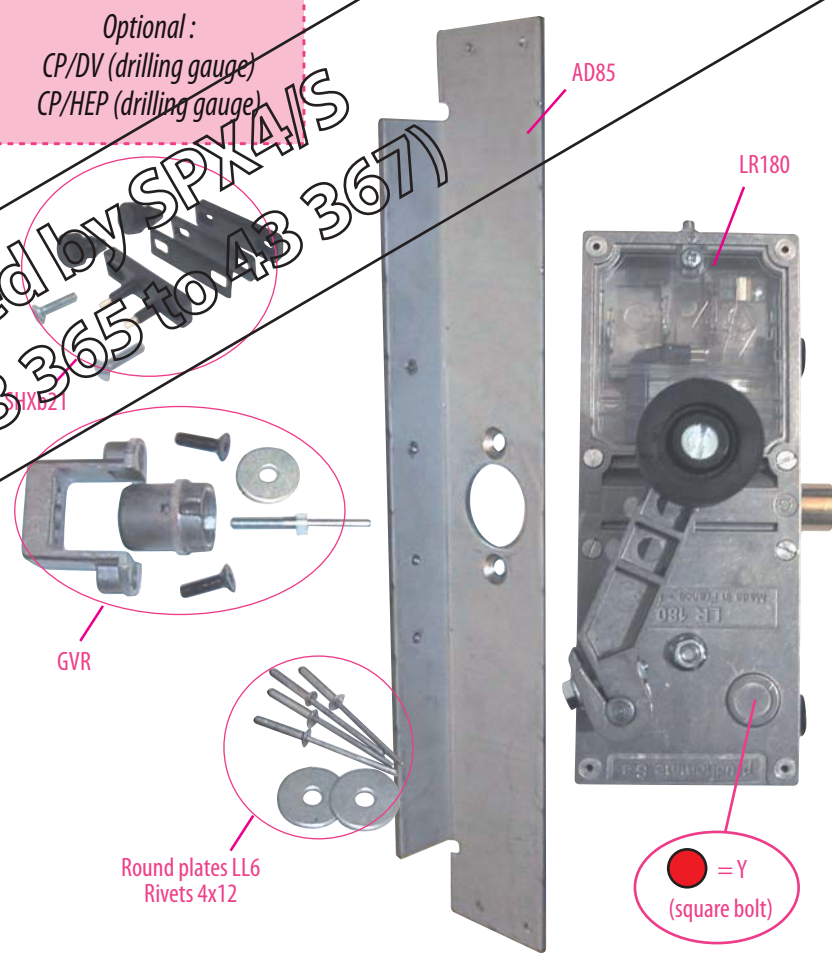
Substitution :

**LR 180 \*\* HEP** pour porte prudhomme S.a

Optional :

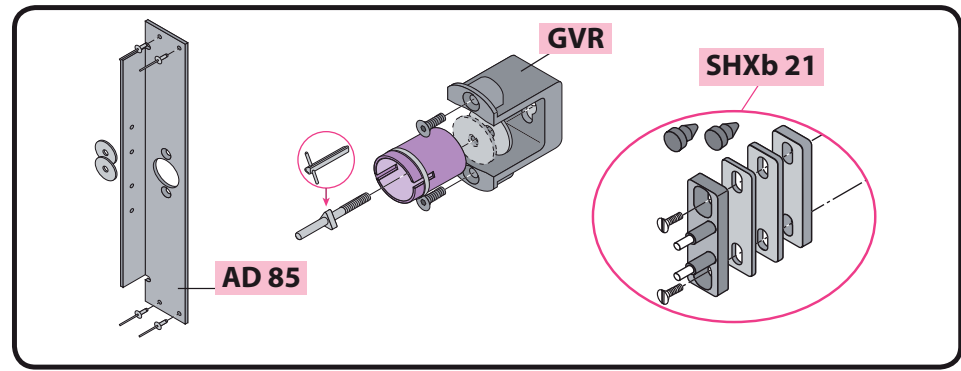
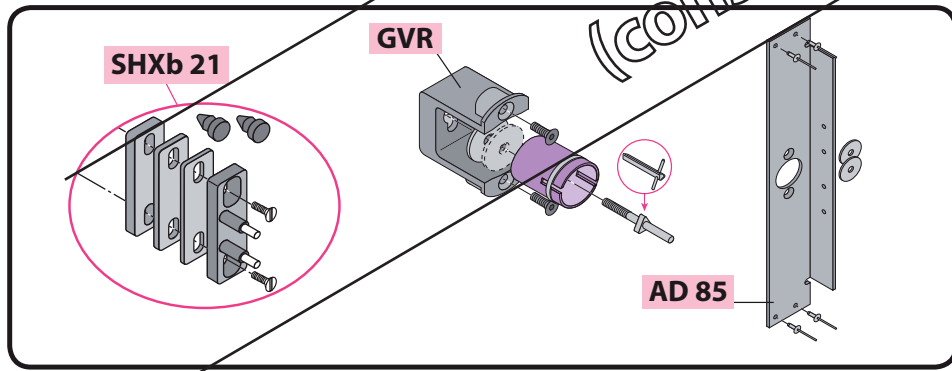
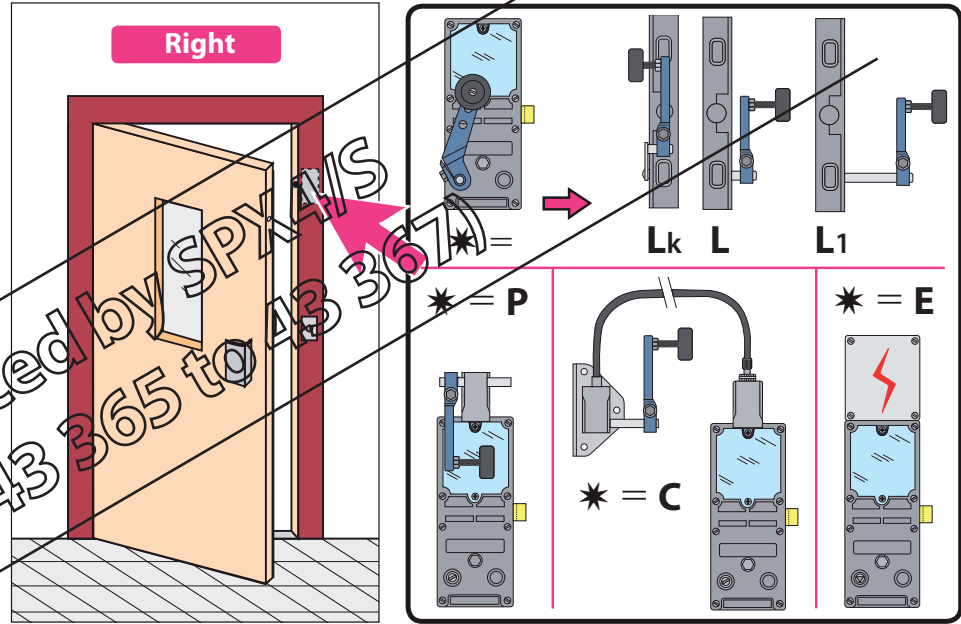
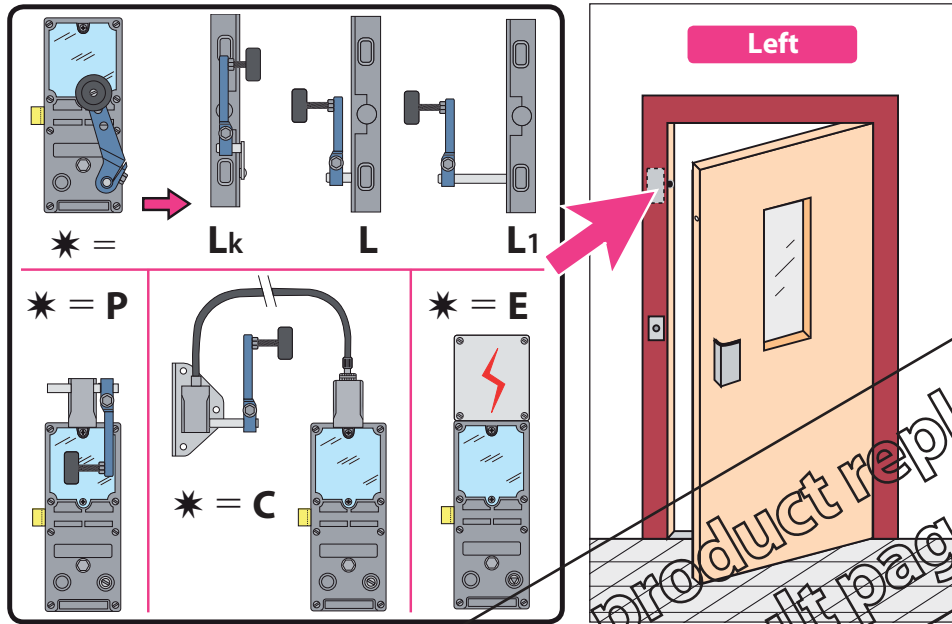
CP/DV (drilling gauge)  
CP/HEP (drilling gauge)

Product replaced by SPX4/S  
(consult page 43 365 to 43 367)



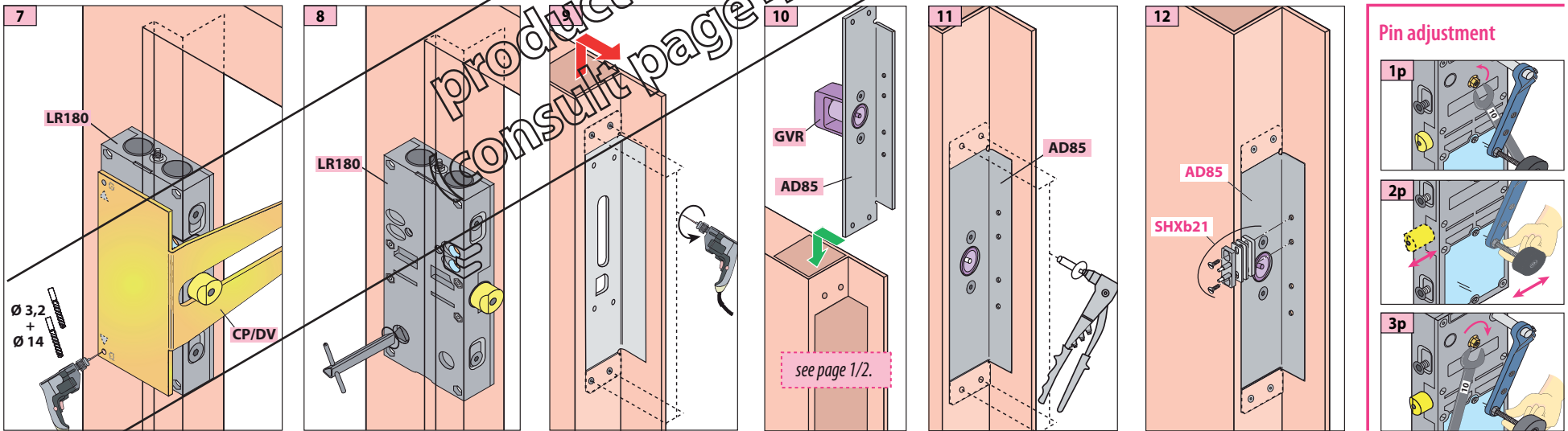
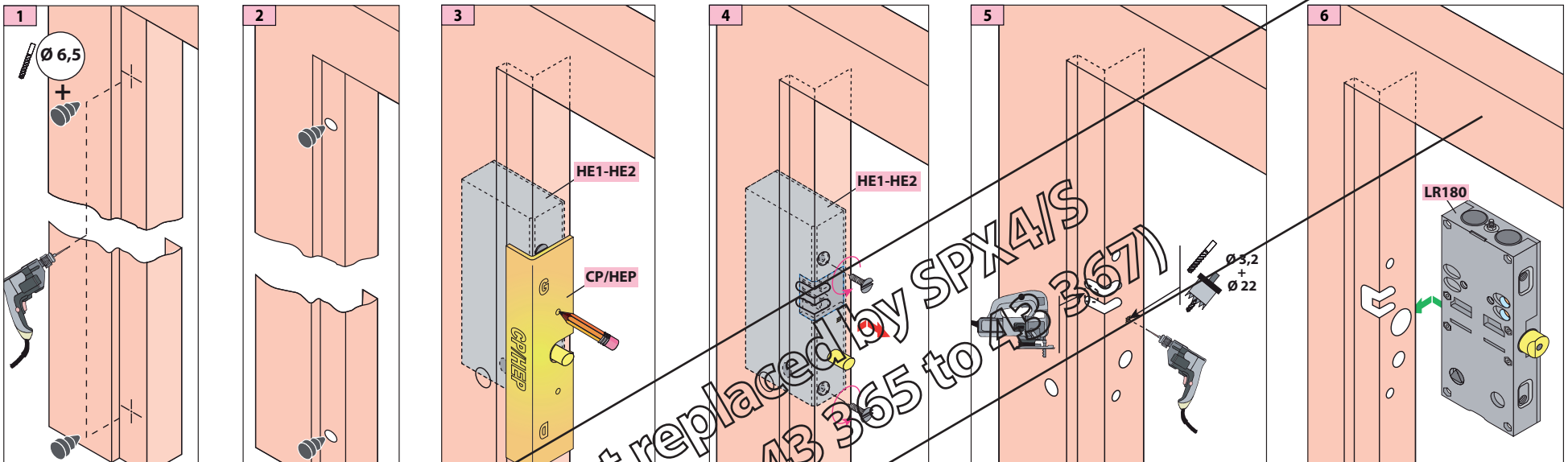
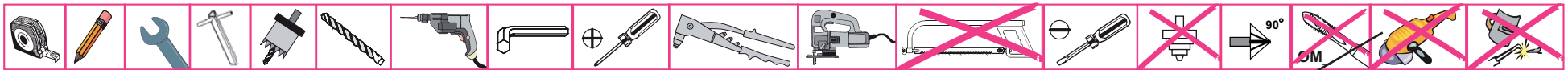
ref.:LR180 \* G HEP

ref.:LR180 \* D HEP



product replaced by SPI MS  
(consult page 43 365 to 43 367)

### Mounting stages



product replaced by SPX4/S  
consult page 43 365 to 43 367